

MEGA8

Mega8 Multi-Port Connector System

The Mega8 multi-port connector system offers high performance RF interconnects, providing an alternative to Times Microwave M8 connectors, for use in both fixed and rotary winged airframes. Mega8 multi-ports meet the harsh requirements of MIL-T-81490 and MIL-C-87104 and are guaranteed to mate with other leading industry brands.



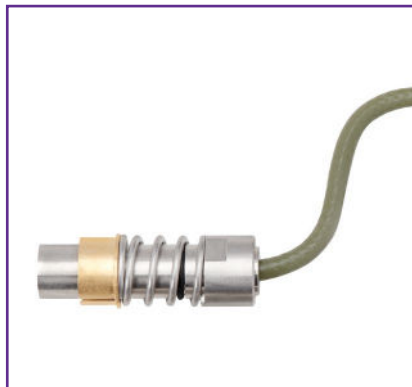
Plug (outboard) Harness



Receptacle (inboard) Harness

Features:

- Individually sealed connector housings and cable assemblies
- Spring loaded interfaces to ensure positive mating under the most extreme vibration
- Simple front release of individual cable assemblies
- Housings can accept a variety of cable assemblies including flexible, semi-rigid, HyperFlex™ up to .480 inches in diameter
- Available in various numbers of ports and housing configurations
- Keyed housings to allow for multiple housings on a single box
- Single jack screw housing mating feature
- Two standard plating options: Chemical Film and EN-PTFE



Mega8 Socket on HyperFlex™
HFX120 Cable



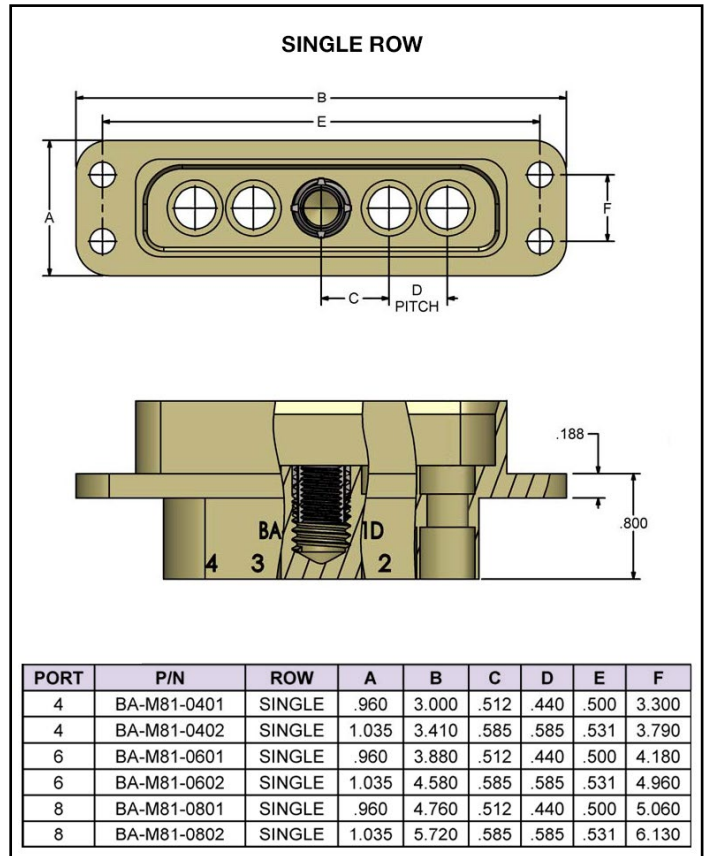
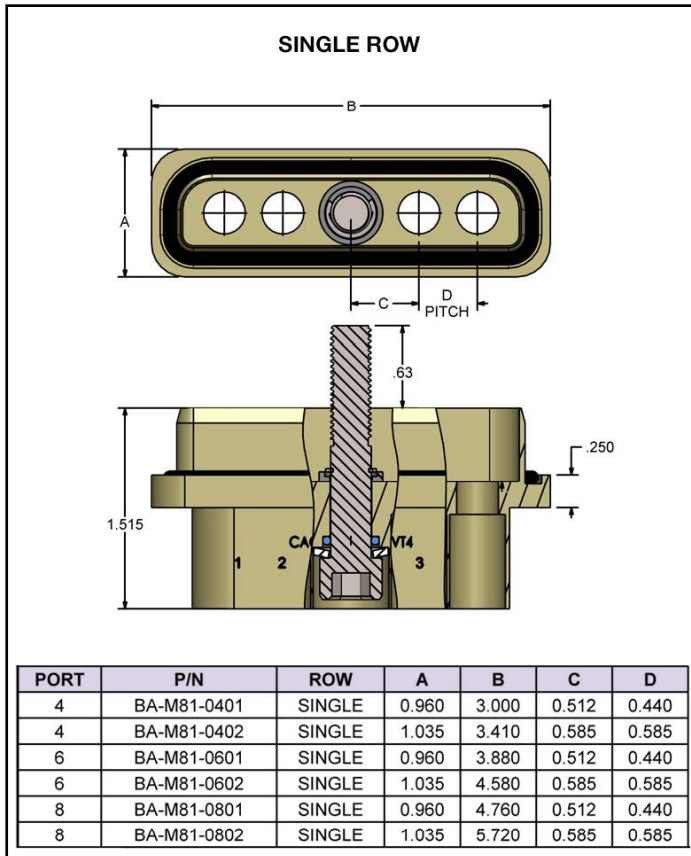
Insertion/Extraction Tool
(PN TOS-M8-01)



Test Adapters Available

Mega8 Multi-Port Connector System (continued)

Single Row Mega8 Shells with .440 and .585 Spacing:



Three row, four row and special configurations are also available. Contact MegaPhase for details.

Materials

BLOCK: ALUMINUM PER 6061-T6 OR 6061-T651, SAE AMS-QQ-A-250/11, SAE AMS-QQ-A-225/8 or AMS 4027

SCREW: TOOL STEEL D2 PER ASTM A-681, UNS T30402, HEAT TREAT AND TEMPER TO 39Rc/50Rc

WASHER: SS303 PER ASTM A-582, UNS S30300, PASSIVATION PER SAE-AMS-QQ-P-35 OR SAE-AMS-2700, METHOD 1, TYP 2

GASKETS: FLUOROSILICONE PER ASTM D2000 CLASS FK OR ASTM D1418 DESIGNATION FVMQ

Finish

C: CHEMFILM: PER MIL-C-5541, MIL-DTL-5541, OR ASTM-B449 / ASTM-B921

E: PTFE: EN-PTFE PLATING NISLIP™ 500

Part Number

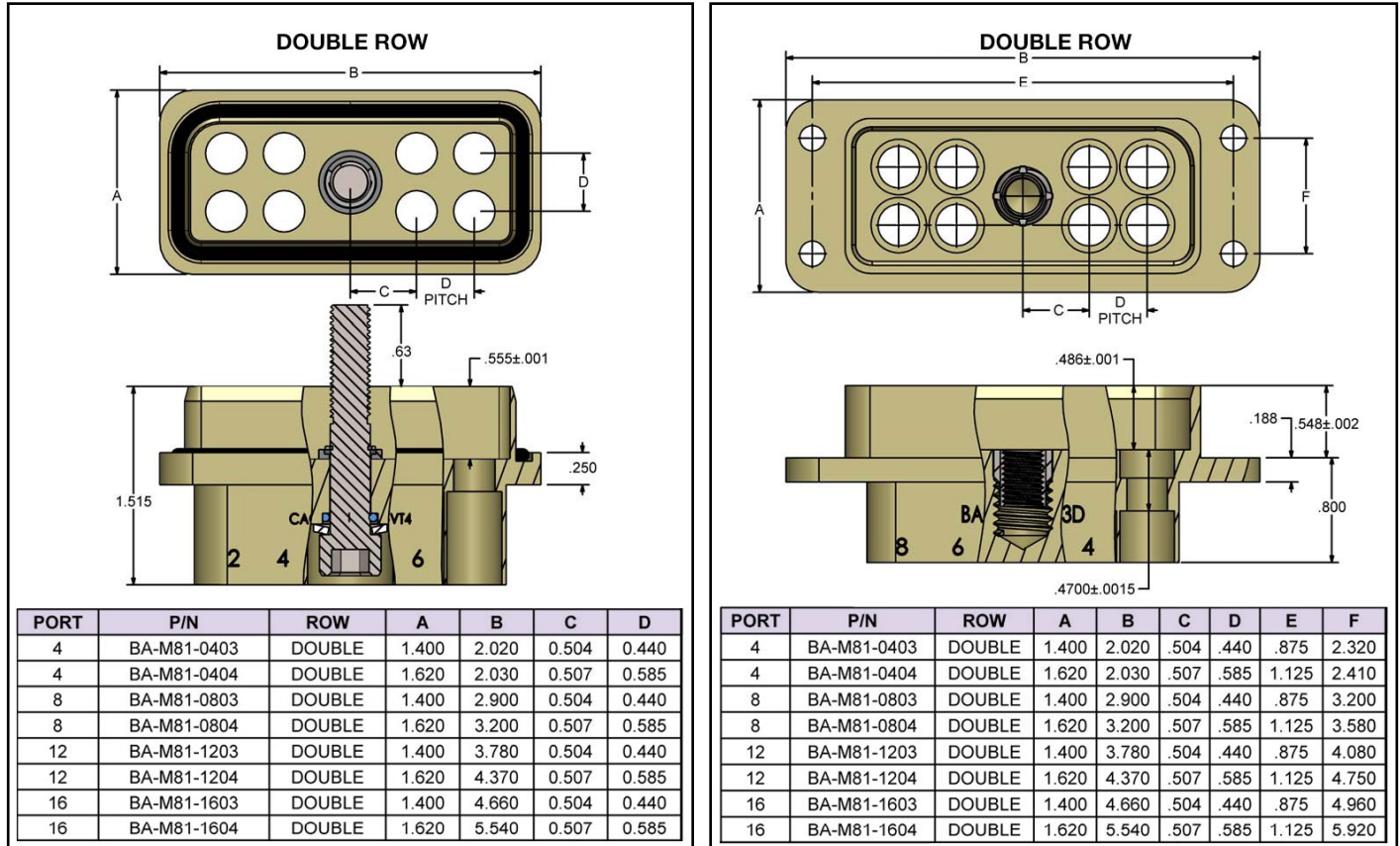
BA-M81-xxxxY

xxxx: SEE PREFIX IN PART NUMBER COLUMN TABLE BELOW

Y: FINISH (PLATING)

Mega8 Multi-Port Connector System (continued)

Double Row Mega8 Shells with .440 and .585 Spacing:



Three row, four row and special configurations are also available. Contact MegaPhase for details.

Materials

BLOCK: ALUMINUM PER 6061-T6 OR 6061-T651, SAE AMS-QQ-A-250/11, SAE AMS-QQ-A-225/8 or AMS 4027

SCREW: TOOL STEEL D2 PER ASTM A-681, UNS T30402, HEAT TREAT AND TEMPER TO 39Rc/50Rc

WASHER: SS303 PER ASTM A-582, UNS S30300, PASSIVATION PER SAE-AMS-QQ-P-35 OR SAE-AMS-2700, METHOD 1, TYP 2

GASKETS: FLUROSILICONE PER ASTM D2000 CLASS FK OR ASTM D1418 DESIGNATION FVMQ

Finish

C: CHEMFILM: PER MIL-C-5541, MIL-DTL-5541, OR ASTM-B449 / ASTM-B921

E: PTFE: EN-PTFE PLATING NISLIPTM 500

Part Number

BA-M81-xxxxY

xxxx: SEE PREFIX IN PART NUMBER COLUMN TABLE BELOW

Y: FINISH (PLATING)